



S1000D™ Support Services

What is S1000D™?

S1000D™ is an international specification for technical publications, utilizing a Common Source Database. It was originally introduced to the European community by the Association Européenne des Constructeurs de Matériel Aérospatial (AECMA), representing the aerospace industry.

S1000D™ was initially defined as “an international specification for the procurement and production of technical publications.” Over the years, the specification has been successfully applied to non-technical publications and now also addresses training materials.

Today, the S1000D™ standard is supported by the successor to AECMA, the AeroSpace and Defence Industries of Europe (ASD), the Aerospace Industries Association of America (AIA), and the Air Transport Association (ATA). The Steering Committee (SC), has full responsibility of maintaining the specification. The SC includes members from both government and industry. A group of specialists, the Electronic Publications Working Group (EPWG), supports the SC in technical matters involving information technology developments.

CDG - Supporting Your S1000D™ Requirements

Our Commitment to S1000D™

We recognize the growing demand for S1000D™ standards based support services from our customers worldwide and, CDG has made a firm commitment to continue to enhance its S1000D™ technical authoring and consulting services capabilities in both our U.S. and U.K based facilities.

S1000D™ Committee Representation

With a strong understanding of the tremendous benefits that S1000D™ can bring to the technical publications community in both military and commercial sectors, CDG has firmly committed itself to proactively support the further development of the S1000D™ standard. Our commitment includes allocating dedicated CDG representatives serving in prominent positions on the Electronic Publications Working Group (EPWG) in both the U.S. and Europe, as well as the U.S. Implementation Group.

Our Pioneering Efforts in S1000D™

S1000D™ was initially specific to technical publications supporting aircraft, but it has been adapted to accommodate land-based and marine equipment. CDG was the first technical publications provider to apply the S1000D™ standard to Land Based Defense Systems in the U.K.

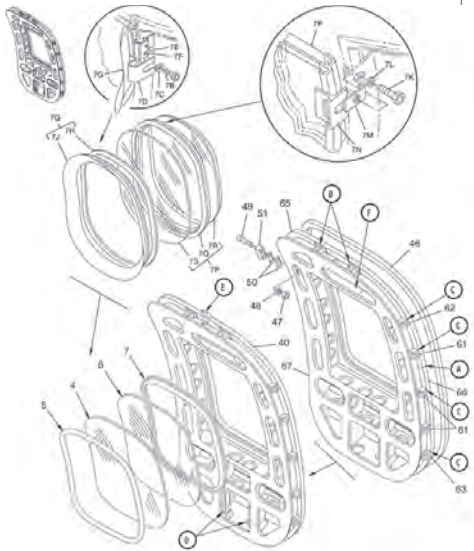
Our Commitment to Providing Highly Skilled Teams

To support your S1000D™ requirements, CDG offers the following services:

- **S1000D™ Technical Authoring and Conversion Services** – Our highly skilled technical publications specialists have proven experience in authoring of S1000D-based publications, and can also assist in conversion of existing legacy publications into S1000D™ compliant format.
- **S1000D™ Advisory Services** – CDG can also provide services to assist your organization with publication solutions and the writing and development of business rules to support your S1000D™ projects.

Benefits of S1000D™

Most experts will agree that the single greatest benefit offered by S1000D™ is the ability to reuse data. With S1000D™, specific data modules are created (containing text and/or graphics), and then stored in the Common Source Database (CSDB). Through the use of data modules, data can be broken into smaller pieces or fragments of repetitive steps that can then be reused within the same publication, in other publications, and even in other projects. This can bring a tremendous amount of time savings to the authoring process, as data modules are simply “plugged in” to any publication or project documentation as needed. In short, with S1000D™ there is no longer a need to recreate the same information over and over again for each individual publication.



Quality Assurance

With an extensive volume of work performed for government agencies, the defense sector and aviation industry, CDG facilities must adhere to stringent security standards, thus ensuring confidentiality of customer information and documents. CDG utilizes ISO-certified Quality Management Systems and built its reputation by providing the highest level of service, security, quality and responsiveness to customers.

U.S. ISO Certification:



U.K. ISO Certification:



Additional Benefits of S1000D™

Some of the other related benefits of using the S1000D™ specification are:

- S1000D™ is based on internationally agreed neutral standards
- Many different output forms can be generated from a single data source, thus ensuring consistency of data delivered to users
- Cost savings associated with reuse of information (vs. recreating information for each use case)
- Facilitates complete configuration control and supports through life management of data through use of metadata
- Reduces maintenance costs for technical information and overall Product Life-Cycle costs
- Allows sub-sets of information to be generated to meet specific user needs
- Facilitates transfer of information and electronic output between disparate IT systems
- S1000D™ data module concept can be applied to legacy data
- It is non-proprietary and allows neutral delivery and management of data
- Incorporates data storage in electronic form while supporting output of information as either paper, IETPs (Interactive Electronic Technical Publications) or IETMs (Interactive Electronic Technical Manuals) using XML and web technologies
- Provides a single standard to support communications and data exchange among all participants in a given project
- Standard data exchange format can also readily support future development projects
- A very active standards body keeps up with evolving technologies while keeping an eye on backward compatibility, thus ensuring that the standard stays up to date as well as protecting your existing data investment.



www.cdgnow.com

6141 Katella Ave, Cypress, CA 90630

To learn more about
S1000D™ Support Services or
other CDG Services

email: marketing@cdgnow.com
or call: (800) 862-5691
(714) 503-4200