

Technical Publications

How CDG Can Help

With a highly skilled, global talent pool of hundreds of technical authors, illustrators, data analysts, and parts documentation specialists, CDG offers comprehensive Technical Publications Services to support engineering and manufacturing organizations.

Our experienced global team of technical publications experts in the U.S. and U.K. enables us to support you with engineering flexible and cost-effective solutions that are tailored specifically to your requirements.

A subsidiary of The Boeing Company, CDG offers its customers a high degree of confidence, backed by our reputation for long-term stability and reliability, our stringent security measures, and ISO-certified quality assurance practices.

Manufacturers and operators of complex, mission-critical equipment face several challenges associated with their technical publications:

- **Manufacturers have an obligation to their customers to develop, revise, and distribute technical support documentation in a timely manner.**
- **Regulatory authorities mandate that manufacturers provide accurate and updated technical publications to equipment operators.**
- **Economic and competitive pressures are forcing operators to maintain and repair their revenue-generating equipment faster than ever, reinforcing the need for easy access to accurate, up-to-date publications.**
- **Technical authoring often falls outside the core competency and strategic focus of the manufacturer. As a result, in-house technical writing and illustration teams are often short-staffed, under funded, and overwhelmed with backlogs of technical publication projects.**

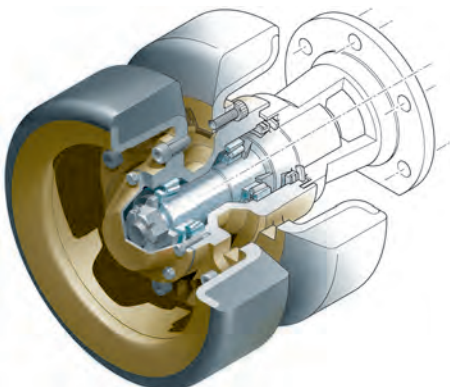
The requirements for manufacturers are clear: develop accurate and up-to-date product support information that can be delivered in a timely manner.

CDG Technical Publications Services

CDG specializes in offering manufacturers and operators of complex equipment a high-quality, lower-cost alternative for management and delivery of their technical data. With 40 years of proven technical publications development experience, CDG offers the expertise to address every aspect of your technical publications process, from authoring and delivery of simple manuals or service bulletins, to development of complex interactive electronic technical manuals and publications (IETMs/ IETPs). We can also use your CAD data to extract figures and definitions to keep costs down and renderings accurate.

CDG can support your technical authoring and illustration requirements with:

- **Authoring of numerous Technical Publications and Technical Manuals**
- **Interactive Electronic Technical Manuals (IETMs or IETPs)**
- **E-Learning and Training Support Materials**
- **Industry and Publications Standards Expertise, including S1000D™, S2000M, and ATA iSpec 2200**
- **Publications delivered in a number of standard software formats and platforms**



Technical Publications Delivery Platforms

CDG's Technical Publications services also support a number of data formats, publications standards, and content publishing software platforms.

Data Formats: XML, PDF, SGML

Content Publishing/Delivery Platforms:

- Arbortext®
- Arbortext Editor™ (formerly Epic Editor®)
- Arbortext IsoDraw® & IsoDraw CAD Process
- Arbortext S1000D® (formerly LBS iLog)
- Adobe FrameMaker®
- Broadvision Quicksilver
- trilogi
- Microsoft® Word
- Boeing eMOD, BoGART, Boeing IVT
- CDG Secure On-Demand™
- Data Renaissance Suite™ (including Wiring Illuminator Web™)
- Many others

Technical Publications Standards:

- S1000D™
- S2000M
- ATA iSpec 2200

Contact us for more information about other formats or platforms supported by CDG.

S1000D™ and S2000M are trademarks of ASD. Arbortext®, Arbortext S1000D®, Arbortext IsoDraw®, Arbortext Editor®, are trademarks or registered trademarks of Parametric Technology Corporation or its subsidiaries in the U.S. and in other countries. FrameMaker® is a registered trademark of Adobe Systems Incorporated in the U.S. and in other countries. BroadVision Quicksilver™ is a trademark of BroadVision, Inc. CDG Secure On-Demand™, Data Renaissance Suite™, and Wiring Illuminator Web™ are trademarks of CDG and The Boeing Company. All other products listed are the trademarks of their respective owners.

CDG offers proven experience in authoring and delivery of numerous technical publications for commercial and military and defense applications. These include, but are not limited to the following:

- Maintenance Manuals
- Aircraft Maintenance Manuals (AMMs)
- Illustrated Parts Catalogs (IPCs), Illustrated Parts Lists (IPLs)
- Illustrated Parts Breakdowns
- Illustrated Tool & Equipment Manuals
- Installation Instructions, Modification Instructions
- Final Assembly & Delivery (FA&D) Instructions
- Power Plant Buildup Manuals
- Reduced Vertical Separation Manuals
- Fault Isolation and Troubleshooting Manuals
- Aviation Parts Provisioning Data
- Component Maintenance Manuals (CMMs)
- Overhaul & Repair Manuals
- Structural Repair Manuals
- Service Bulletins
- Wiring Diagram Manuals, Wiring Parts Catalogs
- Electrical Schematic Diagrams
- General Operations Manuals
- Crew Manuals
- Interactive Electronic Technical Manuals (IETMs and IETPs)

Additional Support Services

CDG also offers additional services to support your engineering and technical data requirements:

- **Engineering Design Services:** CDG offers comprehensive Engineering Design Services to help support engineering and manufacturing organizations in a number of engineering design disciplines, including CAD and CAE related services.
- **Engineering Data Conversion Services:** CDG supports conversion of engineering data to/from a number of engineering data. Services include 2D to 3D conversion (or 3D to 2D if required), and conversion of scanned raster images of engineering drawings and illustrations to vector output in a number of selected software formats and delivery platforms.
- **Document Scanning / Digital Imaging Services:** Digital scanning and indexing of paper documents, aperture cards, microfilm, microfiche, engineering drawings, and blueprints.
- **Document and Content Management Solutions:** Software solutions to support your requirements for online document repositories/portals and document workflow management tools.

Contact us to tell us about your specific project requirements for Technical Publications or other services. Our professional technical publications team will respond right away and work with you to outline options available from CDG to help meet your project needs.



www.cdgnow.com

6141 Katella Ave, Cypress, CA 90630

To learn more about
CDG Technical Publications or
other CDG Services

email: marketing@cdgnow.com
or call: (800) 862-5691
(714) 503-4200