

CDG Digital Imaging and Engineering Conversion Services



Do you have critical documents and engineering information stored in one of these formats?

- Paper
- Microfilm or Microfiche
- Aperture Cards
- Mylar
- Blueprints
- Bound Books and Journals
- Outdated Electronic Formats



Information stored in these formats can present any number of challenges, including:

- Difficult and Time-Consuming Processes to Access Information
- Information Not Readily Available for All Locations or Departments
- High Risk of Losing Critical Documents – Due to Natural Disasters or Human Errors
- Information Only Accessible By Using Outdated Equipment (such as Microfiche Reader/Printers)
- Extensive Filing Storage or Warehouse Space Needed to Store Documents
- Complicated Records Management Processes

How CDG Can Help

CDG can help you transform your critical documents and engineering information into a number of digital formats with comprehensive digital imaging and engineering data conversion services. Our engineering support services include “paper to CAD” conversion services to transform your engineering drawings and technical publications into 2D or 3D CAD models. CDG can also convert engineering or technical publication files from one software platform to another.

CDG Digital Imaging Services

CDG’s Digital Imaging Services can help you convert your critical documents into a number of digital formats, including:

- Indexed PDF Files
- TIFF, GIF, or JPEG Images
- HTML, XML, SGML
- CAD files (including 2D or 3D Output) – Numerous Leading Engineering and PLM Software platforms supported (CATIA, Pro/E, SolidWorks, AutoCAD®, Arbortext IsoDraw®, others)
- CDG’s *Secure On-Demand™* Web-Hosted Solution
- Digital File Output to Support Numerous Commercial Document Management Software Platforms

Other imaging support services include:

- Indexing and OCR Services
- Redaction Processing (for “masking” of confidential or sensitive information)
- Large Format, High Accuracy Black & White or Color Scanning – Access to the World’s Largest High Accuracy Scanner, with Scan Area of 72” x 196” and +/- .002 Thousands of an Inch Accuracy





High Security Imaging Facilities

CDG offers high security facilities for processing of documents in multiple media formats, including documents containing highly confidential and sensitive information. CDG's imaging facility security and quality assurance practices include:

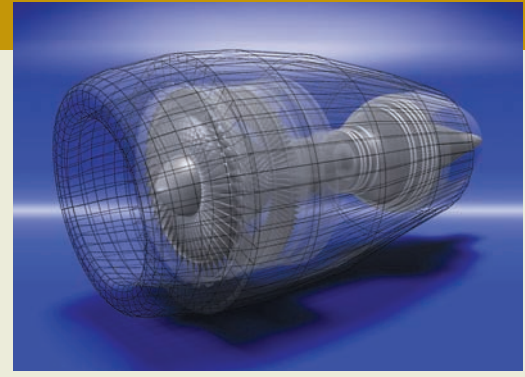
- Scanning Facility Access Limited to Screened and Authorized Personnel Only
- 24-Hour Security Cameras On-Site
- Barcode Tracking of all Customer Materials Received
- Extensive Experience Handling Sensitive and Confidential Documents
- DD 254 Process Knowledge for Support of Defense Related Projects
- Strict ITARs Compliant Procedures
- Lean Process Improvement Practices – Continually Applied to Maximize Processing Efficiency
- Company-Wide ISO 9001:2008 Certified Quality Management Systems



Options for On-Site Scanning at Your Facility

For projects requiring handling of highly sensitive, historical, or fragile documents, CDG can accommodate rapid deployment of imaging production equipment and personnel to set up scanning and processing operations on-site at your facility as needed.

- Top of the Line High Volume Imaging Equipment Securely Shipped to Your Facility
- Setup of Production Equipment in Your Facility Can Begin as Quickly as 48 Hours After Contract Approval
- On-Site Imaging Production Operations Fully Staffed, Up and Running Within 1-5 Days
- Imaging Production Staff Pre-Screened with Comprehensive Background Checks
- Security Clearance Level Personnel Available to Support DD 254 Defense Related Requirements
- CDG-Supervised Teams Work Independently, or as a Supplement to Your Staff



Engineering Data Conversion and Support Services

CDG's global team of hundreds of skilled engineers can support delivery of files in a number of leading engineering software and technical publications platforms, and can also assist in conversion of engineering CAD files or technical publications from one software platform to another. We can also support transition of files from 2D to 3D models, or 3D to 2D.

Engineering software formats supported:

- CATIA, ENOVIA, DELMIA
- SolidWorks
- AutoCAD®
- Pro/ENGINEER® (Pro/E)
- Mathcad / MATLAB / Mathematica
- Arbortext IsoDraw® & IsoDraw CAD Process
- And many others

Technical Content Publishing and Delivery Platforms supported:

- Arbortext®, Arbortext Editor™ (formerly Epic Editor®)
- LBS iLog (now Arbortext S1000D®)
- Adobe FrameMaker®
- *Secure On-Demand™*
- Broadvision Quicksilver
- trilogi
- Microsoft® Word
- Boeing eMOD, BoGART, Boeing IVT
- Many others

Technical Publications Standards supported:

- S1000D™
- S2000M
- ATA iSpec 2200
- DITA
- Mil-Pref 87269A, Mil-Std 1388-2B



Why CDG?

A number of leading companies and organizations have entrusted CDG with their scanning and data conversion projects. CDG's digital imaging and engineering data conversion services customers represent a broad range of industry sectors, from aerospace and defense suppliers, to nuclear energy facilities, to commercial equipment manufacturers, and city and county government agencies.

We also support customers requiring DD 254 process knowledge and ITARs compliant practices to ensure protection of sensitive data. Our proven ability to support rapid delivery in a highly secure environment has resulted in several long-term, multi-year contracts with high profile customers.

We pride ourselves in providing the same level of quality and security to all of our customer projects, whether they involve processing and management of simple business documents or highly sensitive and complex engineering information.

As a wholly-owned subsidiary of The Boeing Company, CDG provides its customers with assurance of high quality standards, strong business ethics, and financial stability.

CDG is a trusted and experienced partner ready to help you find the best solutions to maximize the value of your documents and data.

Contact us today to discuss your specific document imaging or engineering data conversion requirements.



www.cdgnow.com

© CDG